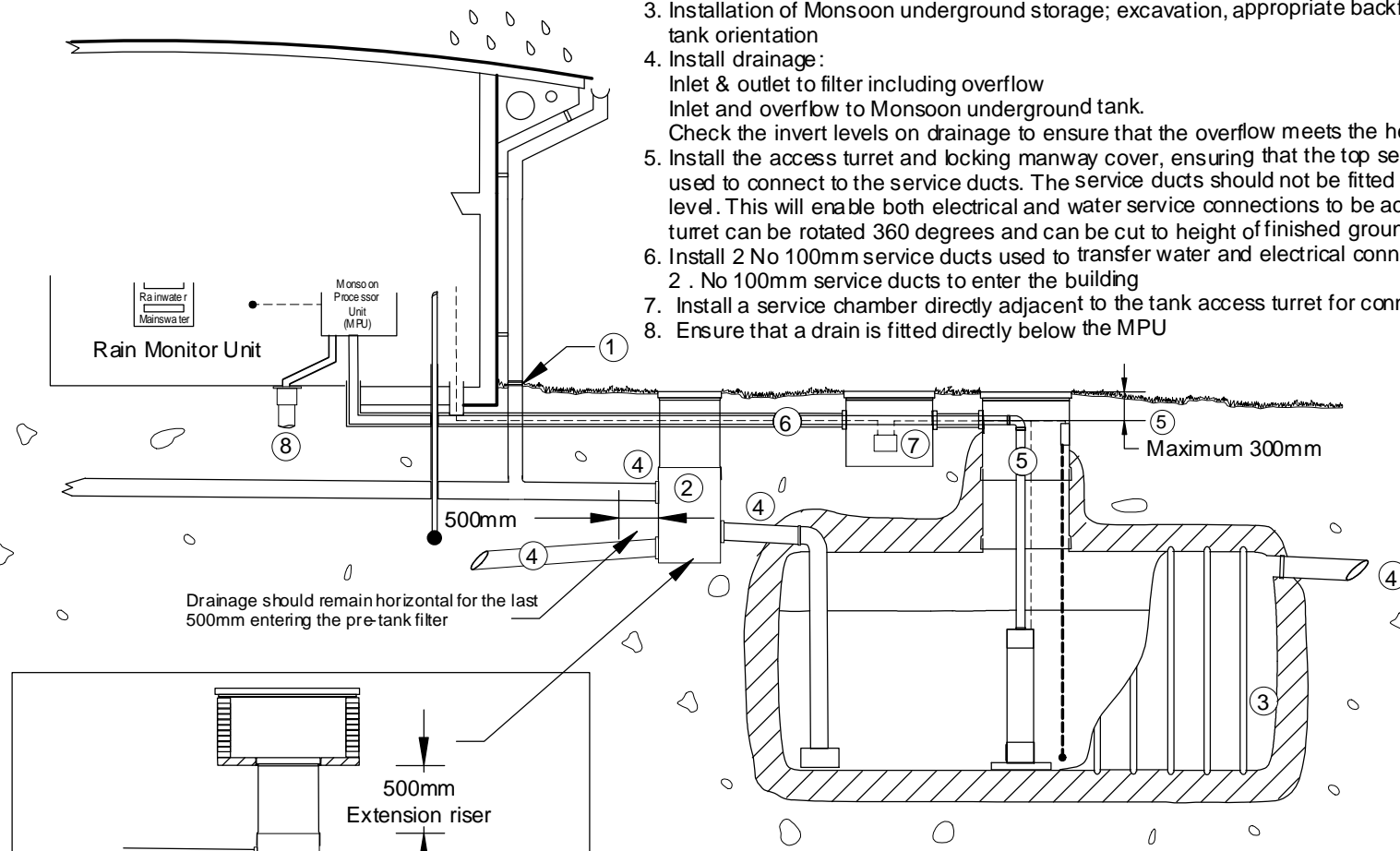
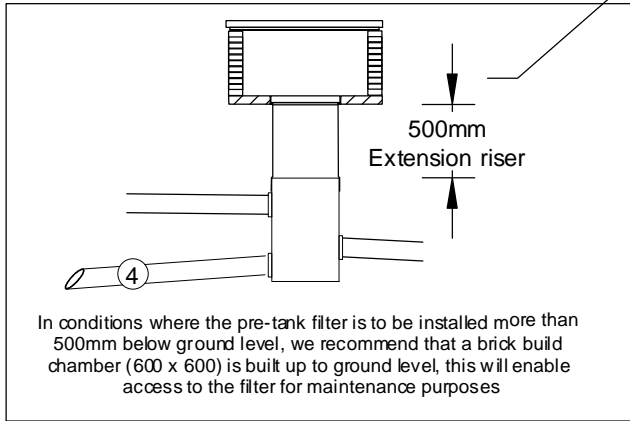


Monsoon: Non pressurised System civil works (Summary)

1. Fit rainwater downpipes into sealed gullies to prevent contamination of water
2. Ensure invert level are correct prior to installing the pre-tank filter unit, install the filter unit, fit the extension riser and finish at ground level
3. Installation of Monsoon underground storage; excavation, appropriate backfill surround and cover ensuring correct tank orientation
4. Install drainage:
 - Inlet & outlet to filter including overflow
 - Inlet and overflow to Monsoon underground tank.
5. Install the access turret and locking manway cover, ensuring that the top section includes the two 100mm spigots used to connect to the service ducts. The service ducts should not be fitted more than 300mm below finished ground level. This will enable both electrical and water service connections to be accessible from ground level. The access turret can be rotated 360 degrees and can be cut to height of finished ground level
6. Install 2 No 100mm service ducts used to transfer water and electrical connections to the building. Allow for 2 . No 100mm service ducts to enter the building
7. Install a service chamber directly adjacent to the tank access turret for connection of services
8. Ensure that a drain is fitted directly below the MPU



Drainage should remain horizontal for the last 500mm entering the pre-tank filter



Title:	STD Schematic: CIVILS Non Pressurised - Pre-filters
Scale:	Not to scale
Drawn:	MAF
Size:	A4
Date:	10.09.04
<small>This drawing remains the property of Stormsaver Ltd and is provided in confidence. The use, reproduction or disclosure either whole or in part is prohibited without written consent of Stormsaver Ltd</small>	



Stormsaver Ltd
 Roewood Farm, Winkburn
 Nottinghamshire
 NG22 8PG
 Tel 0870 7536 750 fax 0870 753 7750
www.stormsaver.com